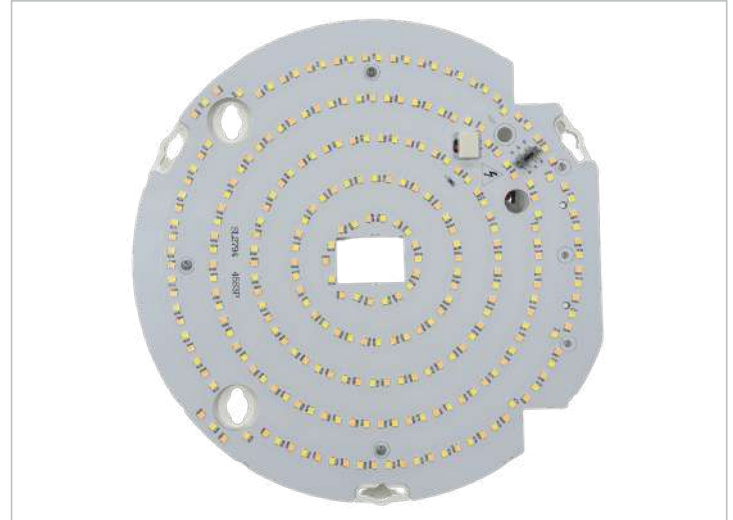


PRODUCT FEATURES:

- **3 CCT selectable** – 3000K / 4000K / 6000K
- **Up to 30% lower wattage** – Same lumen output
- **Hinged gear tray** – Ease of installation when in-situ
- **Universal retrofit design** – Fits most market fittings
- **4 selectable wattages** – Front-accessible switches
- **Plug & Play modules** – Twist lock microwave & emergency packs & clipin microwave/corridor
- **Corridor function built-in** – Multifunctional microwave sensor. No driver change required
- **Emergency self & manual test** – Front test button



DESCRIPTION:

The Colombia Switch Pro LED Circular Gear Tray offers a robust, high performing lighting solution designed to simplify installation and maintenance. Developed using advanced energy saving LED technology, the multi functional and multi purpose gear tray fits a wide range of light fittings across residential and commercial environments.

PRODUCT CODES:

PRODUCT CODE	DESCRIPTION
HSLEDGT	Colombia SWITCH Pro LED Circular Gear Tray
HSLEDGT/EP	Colombia SWITCH Pro LED Circular Gear Tray c/w EP
HSLEDGT/EP/MS	Colombia SWITCH Pro LED Circular Gear Tray c/w EP & MS/CF
HSLEDGT-MOD/MS	Colombia SWITCH Pro LED Module MICROWAVE/CORRIDOR SENSOR for Gear Tray & Bulkhead
HSLEDGT-MOD/EP	Colombia SWITCH Pro LED Module EMERGENCY for Gear Tray & Bulkhead

COMPATIBLE FITTINGS:

PRODUCT CODE	DESCRIPTION
HSLEDDF	Pacific SWITCH Pro LED Circular Decorative Fitting
HSLEDBH/WP	Atlantic SWITCH Pro LED Bulkhead - White
HSLEDBH/BP	Atlantic SWITCH Pro LED Bulkhead - Black

**Also compatible with all previous generation of fittings and a wide range of fittings from other manufacturers.*

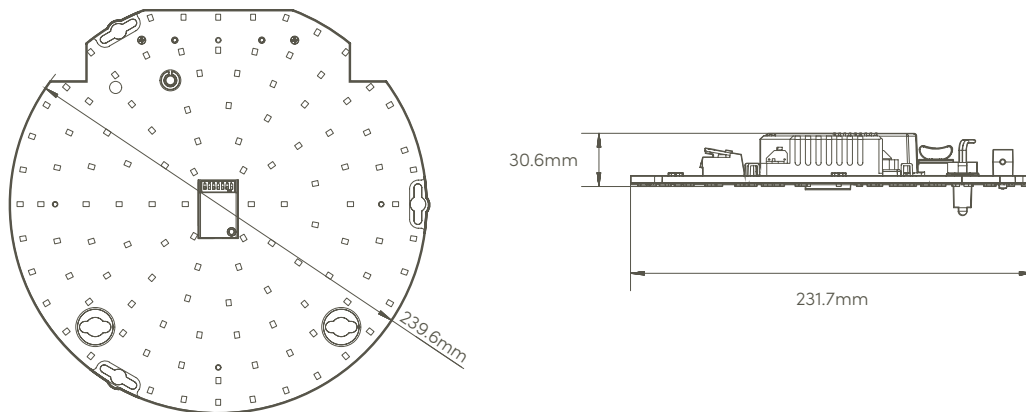
**All information is subject to change and should be verified before any critical action.*



TECHNICAL SPECIFICATION:

PRODUCT CODE	HSLEDGT	HSLEDGT/EP	HSLEDGT/EP/MS	HSLEDGT-MOD/MS	HSLEDGT-MOD/EP
INPUT VOLTAGE	220-240V			N/A	
WATTAGE	Adjustable - 8W, 10.5W, 13.5W & 16W			N/A	
LUMEN OUTPUT	1080lm / 1400lm / 1850lm / 2150lm			N/A	
LUMENS PER WATT	135lm/w			N/A	
LED FORWARD VOLTAGE / CURRENT	117-144V			N/A	
LED CHIP LIFETIME(L70)	>54000 hours			N/A	
CCT SELECTABLE	3			N/A	
CCTK	3000K / 4000K / 6000K			N/A	
FREQUENCY	50/60Hz			N/A	
CRI/RA	Ra > 80			N/A	
CLASS	II				
IP RATING	IP65			IP20	
IK RATING	IK06			N/A	
RATED LIFE	5 Years				
AMBIENT OP. TEMP	-20°~ 40°C			-0°~ 40°C	

DIMENSIONS:



*All information is subject to change and should be verified before any critical action.

