



## Danube Walk Over Light

STAINLESS STEEL

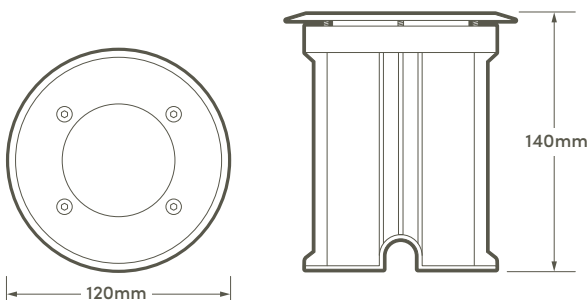


### Features

- Die cast aluminium construction
- Maximum load of 500kgs
- IP67 rated to prevent water ingress
- Lamp not included
- GU10 Lamp compatible
- 0.3m 1.0mm<sup>2</sup> cable

### Technical information

|                    |          |
|--------------------|----------|
| Max LED lamp load: | 35w      |
| Voltage:           | 220-240v |
| Cut out:           | 98mm     |



Product code: HSLEDWOL