



## Coral Down Wall Light

STAINLESS STEEL, BLACK, COPPER OR ANTHRACITE GREY

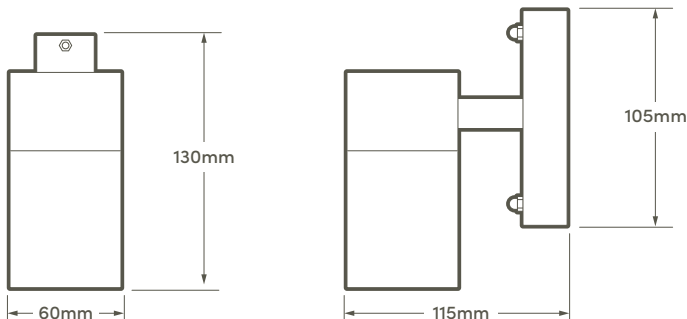


### Features

- Accessory pack included
- Lamp not included
- GU10 compatible up to 35w

### Technical information

Voltage: 220-240v



Copper:	HSLEDDL/COP
Stainless Steel:	HSLEDDL
Black:	HSLEDDL/BLK
Anthracite Grey:	HSLEDDL/GRY