

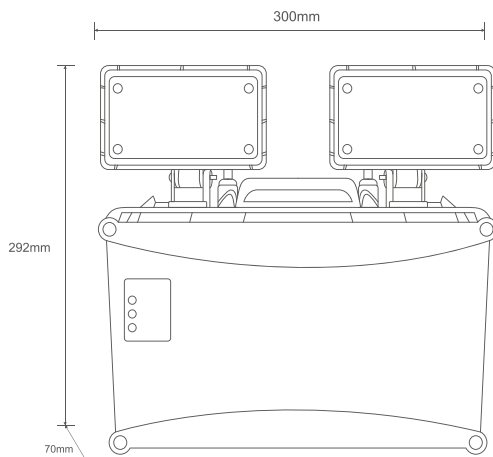


## CONGO LED EMERGENCY TWIN SPOT



### FEATURES

- Maintained / Non-maintained
- PC Diffuser ABS Frame
- 2x20mm conduit side entry
- IP65 Rated
- Push fit connectors
- Easy to install



### TECHNICAL INFORMATION

Rated voltage:	220-240VAC 50/60Hz
Wattage:	2x 2w
Lumen:	400lm
Battery (LiFePo4):	3.2v 1000MAh
Battery protection:	Overcharging and over discharge protection
Charging time:	24 Hours
Minimum emergency duration:	3 Hours
Degree of protection:	IP65
Operation temperature range:	-10°C - 50°C
Class:	Class II
Weight:	886g

Product Code: HSEMLEDTS