

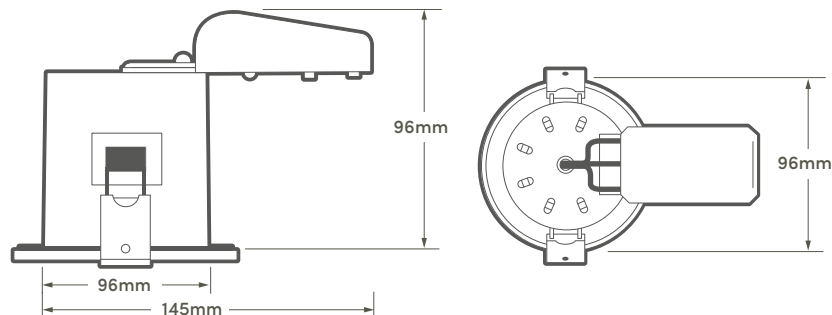


Brisbane Fire Rated GU10 Tilt Downlight

MATTE BLACK, BRASS, POLISHED CHROME, SATIN CHROME OR WHITE

Features

- Push Fit connectors
- Loop in/loop out connectors
- Die cast aluminium
- Screwless cover
- High durability spring clips
- 30, 60, 90 mins fire rated
- Lamp not included



Technical information

Cutout:	86mm
Voltage:	220-240v
Acoustics certification:	Part E

Matte Black:	HSFRTLMB
Brass:	HSFRTLBR
Polished Chrome:	HSFRTLPC
Satin Chrome:	HSFRTLSC
Matte White:	HSFRTLWH