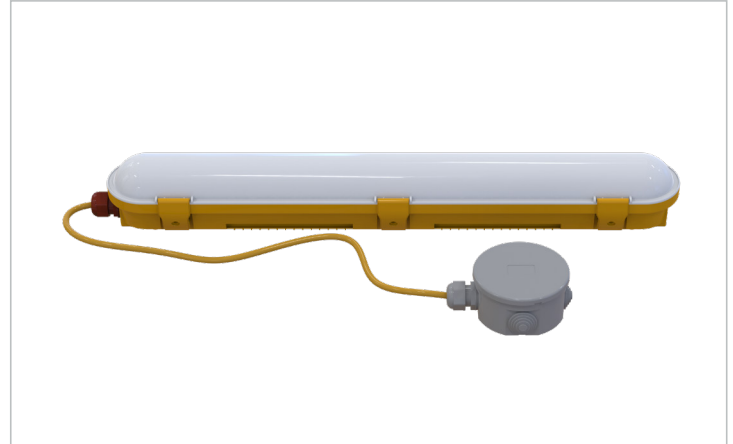


PRODUCT FEATURES:

- 110V
- 20Watt/2400lumens(EM 380lumens)
- 1M cable and IP44 Junction Box
- Mounting Clips for Fast-Fix
- IP65



DESCRIPTION:

110V 2ft Linear Non Corrosive Luminaire for illumination of areas such as temporary walkways. Emergency lighting backup to provide 3hrs illumination from a full charge. Mounting clips for easy fixing, negating the need to drill the housing. Prewired to an IP44 junction box.

TECHNICAL SPECIFICATION:

Lumens:	2400 (380 Emergency Output)
Watts:	20
Lm/W:	125
CCTk:	4000k
CRI/Ra:	80
Rated Life:	50000Hrs
Warranty:	2 Year
IP Rating:	IP65 (Wiring Box IP44)
IK Rating:	IK08
Electrical Class:	I
Operating Voltage:	110V AC
Operating Ambient Temperature:	-20°C to 40°C
Materials:	PC

PRODUCT CODES:

HSSL/20LEDWL-2FT/EP = Site light 20W 110V 2ft c/w Emergency

PRODUCT CONSTRUCTION:

Housing Material: Polycarbonate
Weight (Unboxed): 1.088kg
Cable Entry: Pre Wired - 1M cable and IP44 wiring box

*All information is subject to change and should be verified before any critical action.



HSSL/20LEDWL-2FT/EP

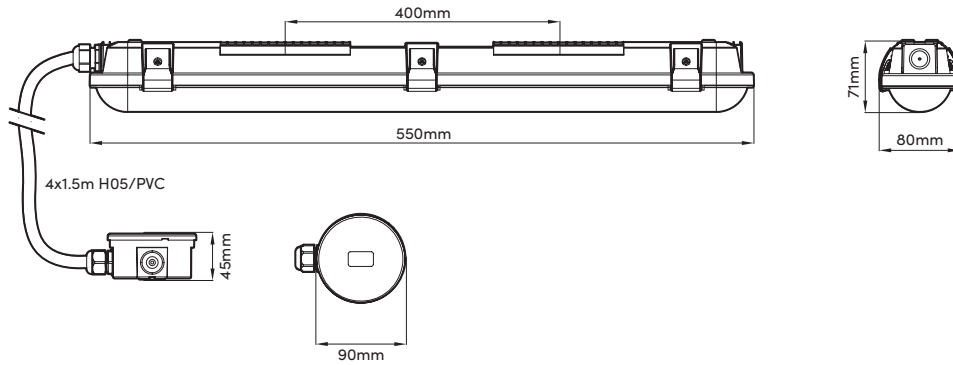
SITE LIGHT

1M CABLE & IP44 J-BOX



LIFE SAFETY & HOUSING SOLUTIONS

LINE DRAWINGS:



GUARANTEE



IP54



2400 LUMENS



380 Emergency Lumens



110V



WATTAGE



3HR EMERGENCY



*All information is subject to change and should be verified before any critical action.

