



## INTERCONNECTABLE FAST FIX MAINS SMOKE DETECTOR

WITH 10 YEAR RECHARGEABLE LITHIUM BATTERY

**FAST  
FIX**

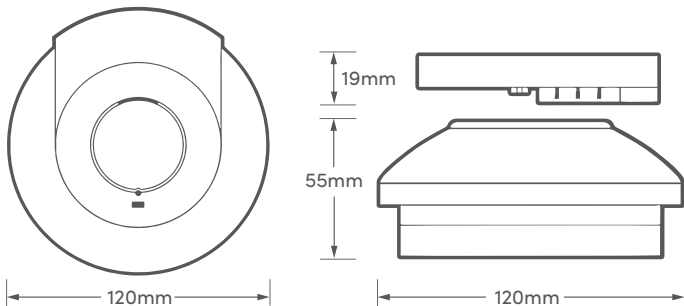


### FEATURES

- Interconnect up to 20 wired detectors over 80m max
- 10yr Rechargeable Lithium Battery Backup
- Loud 85dB alarm
- Fast Fix base included
- Insect proof
- Test function and hush feature
- Tamper proof

### TECHNICAL INFORMATION

Scheme Rating:	D1
Detection Type:	Photoelectric Sensor
Power Source:	220-240v
Battery Backup:	Rechargeable Lithium Battery with 10 year life
Alarm Sound Level:	85dB at 3 meters
Operating Temp:	0°C ~ 40°C
Operating Current:	<40mA operation
Coverage Area:	60m <sup>2</sup> max at 2.4m mounting height
Weight:	162g
Approvals:	BS EN14604:2005



Product Code: HSSA/PE/FF10