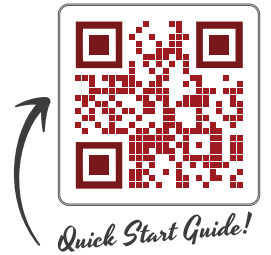




LIGHTING • FIRE & CO DETECTION



# RADIO FREQUENCY CONTROL UNIT

WITH 10 YEAR LITHIUM BATTERY

## RF PRO

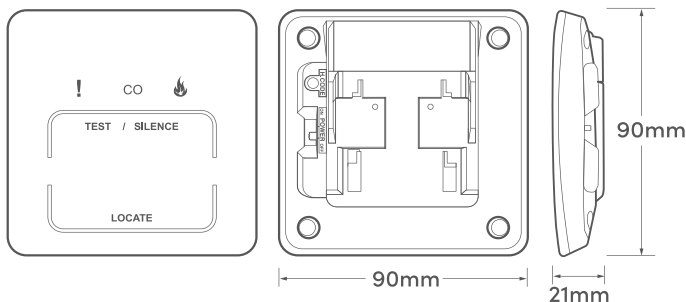


## FEATURES

- Interconnectable with our RF PRO range of alarms
- 10yr Sealed Lithium Battery powered
- Control up to 19 alarms
- One button with three functions - Test, Locate & Silence

## TECHNICAL INFORMATION

Power Source:	Sealed Lithium Battery with 10 year life
RF Frequency:	868Mhz
Operating Temp:	0°C to 40°C
Humidity:	15% - 95%
Radio Frequency Range:	Range of 80m in open areas
Weight:	80g



Product Code: HSSA/CU/RF10-PRO



hispec.co.uk

